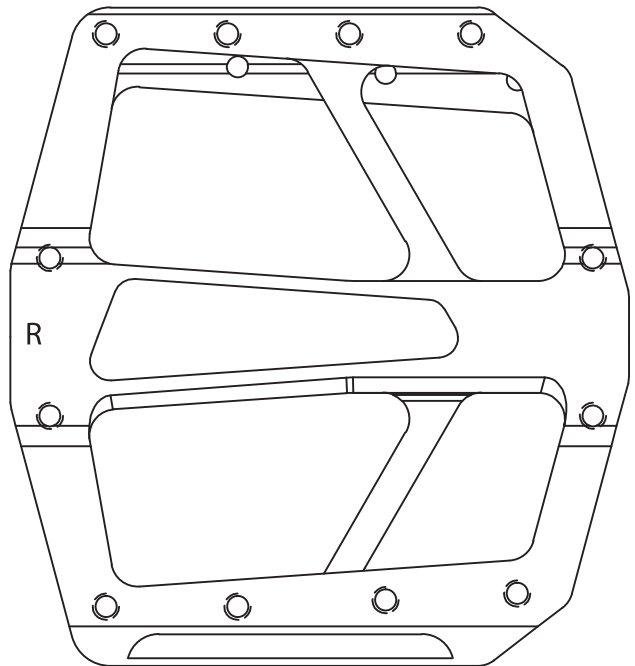
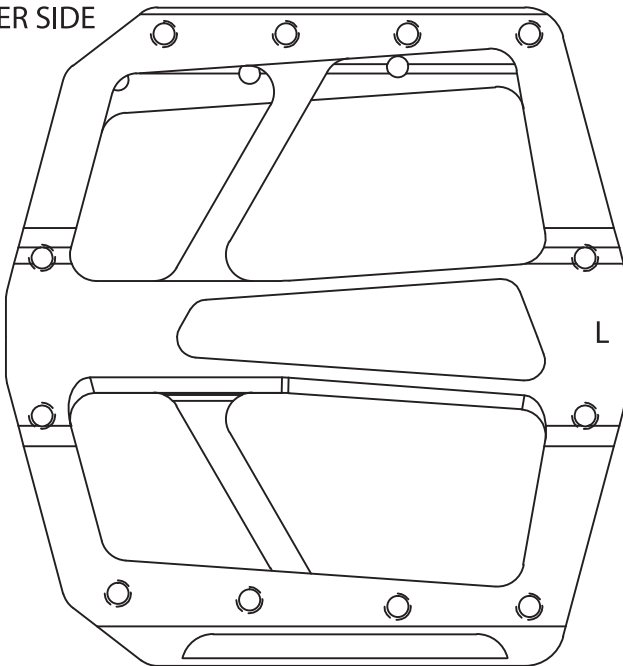
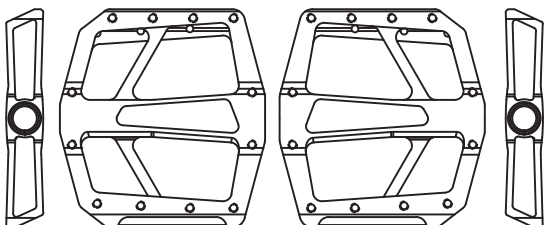
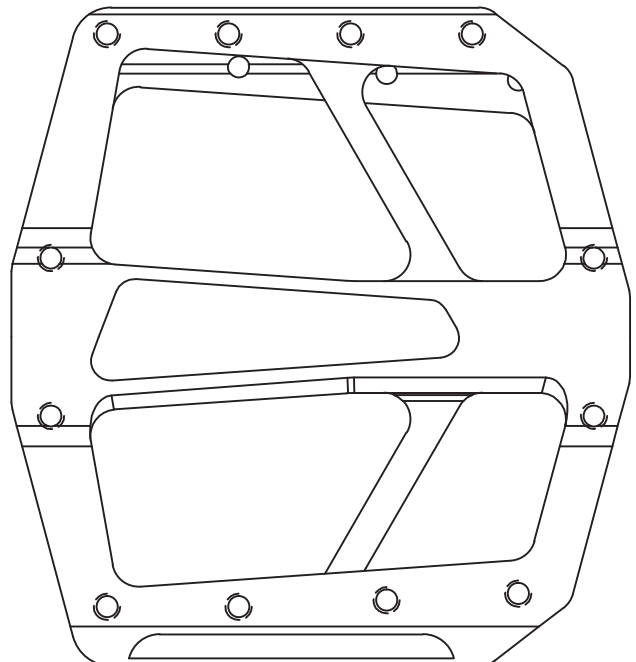
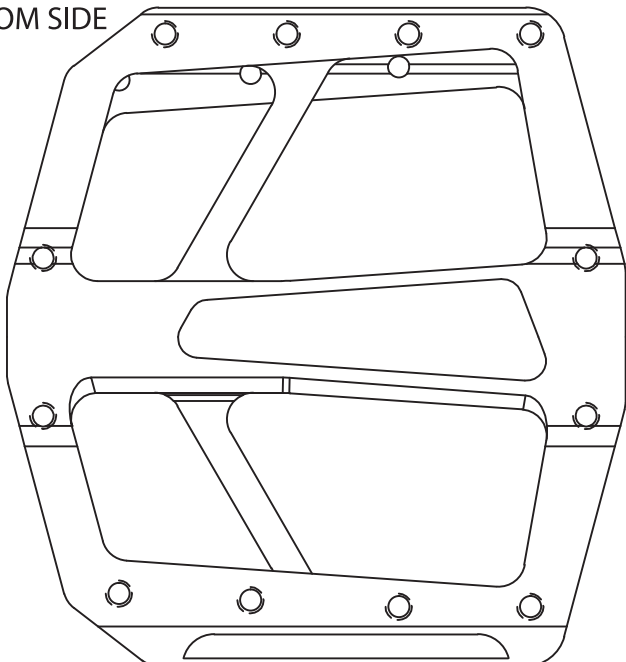


UPPER SIDE



BOTTOM SIDE



E-PROOF / GzD

date:

signature: